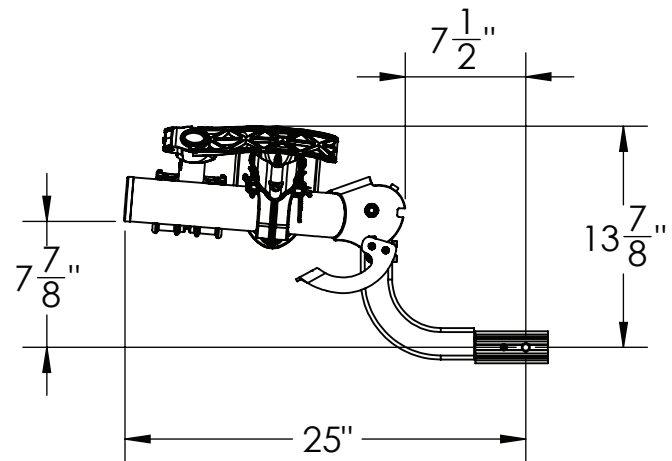
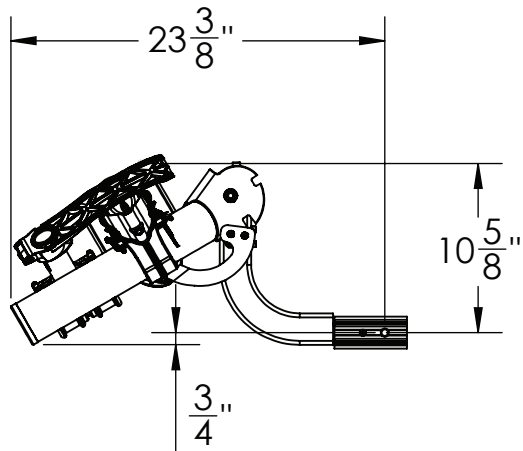
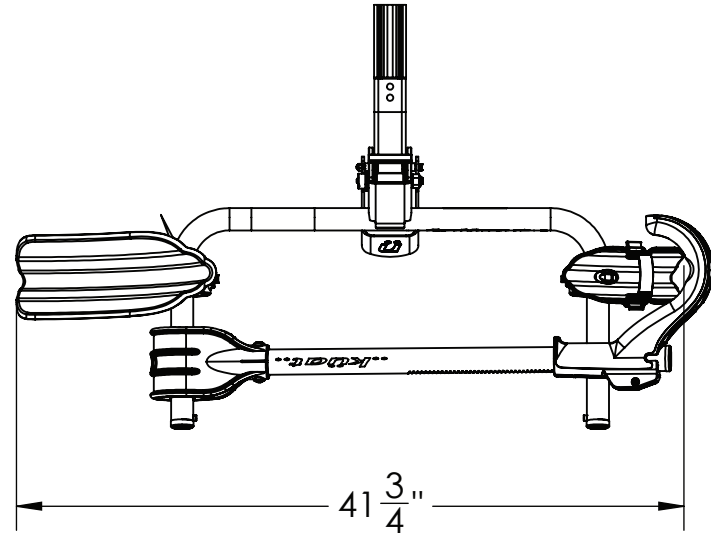
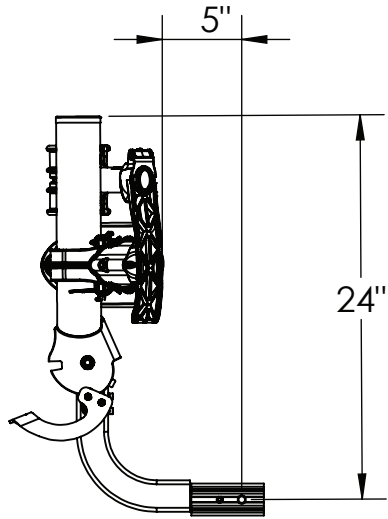


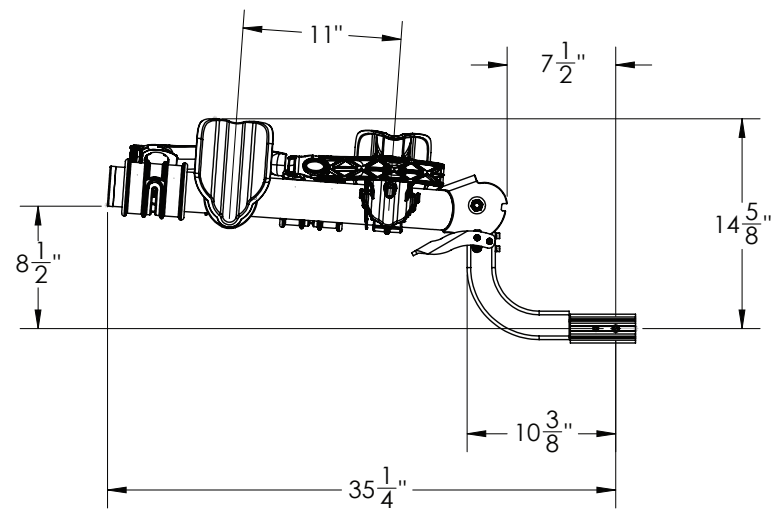
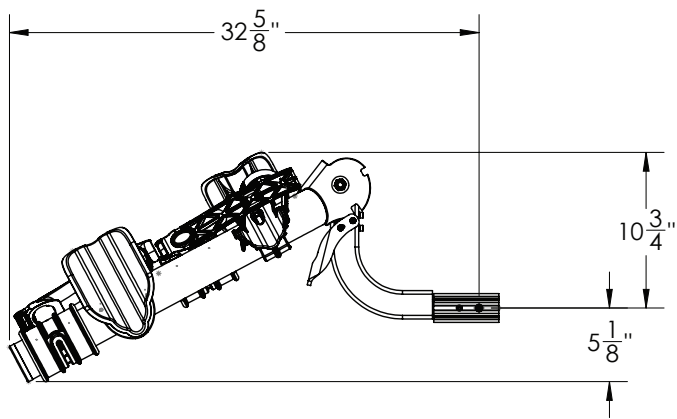
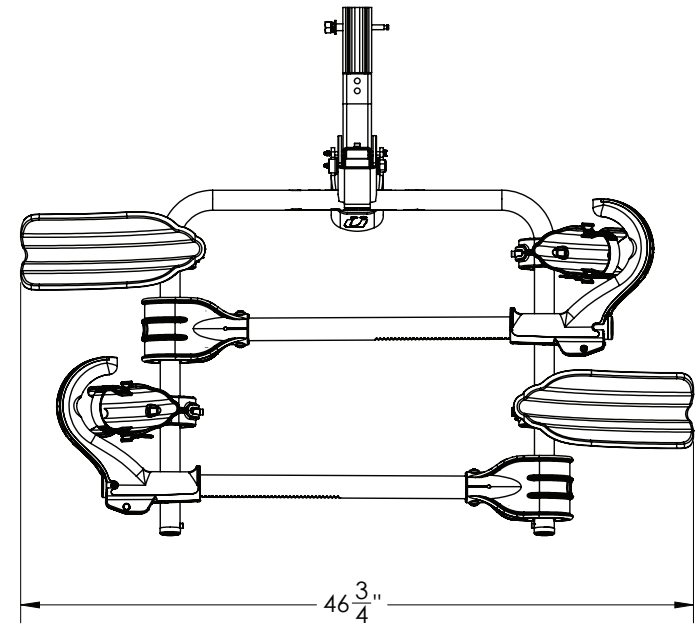
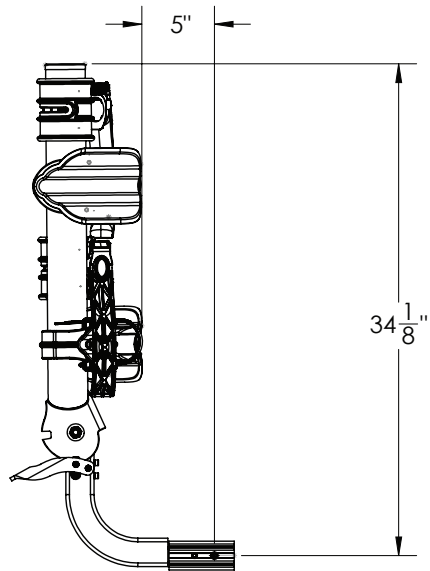
TRANSFER1

Fit Guide



TRANSFER2

Fit Guide



TRANSFER3

Fit Guide

