

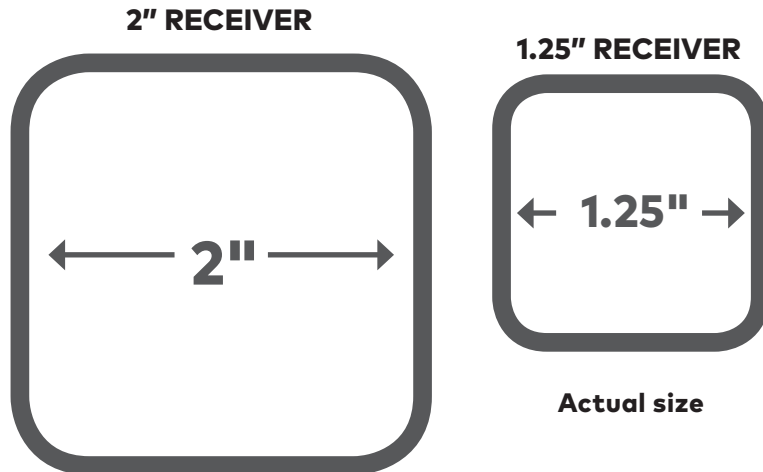


HITCH FIT TIPS

ENSURING THE PERFECT FIT ON A HITCH RECEIVER

Utilize this handy guide to ensure that the perfect hitch rack will fit your car...perfectly. If you have any questions or concerns, visit your local dealer to "try on" a Yakima rack.

1. There are two standard sizes of hitch receiver:



2. Hitch Class Identification

- Check the sticker on your hitch to determine its class.
- **No Sticker?** If your receiver is 1.25" it is either a Class I or II. If it's 2" it is a Class III or IV. Choose a hitch rack that fits your receiver and then double-check the "Hitch Fit Measurements" on the next p. (30) to ensure the proper fit.

Class I

- 1.25" receivers
- Class I hitches are rated for a 2,000 lb. pull weight and a 200 lb. tongue weight.
- To ensure that Class II (heavier) accessories are not used in Class I receivers, Class I receivers are generally built with an internal "stop" to prevent the longer Class II accessories from being used. Not all, but most, common Class I receivers are built with this "stop" feature.

Class II

- 2" receivers are Class II, III or IV.
- Class II hitches are rated for a 3,500 lb. pull weight and a 350 lb. tongue weight.

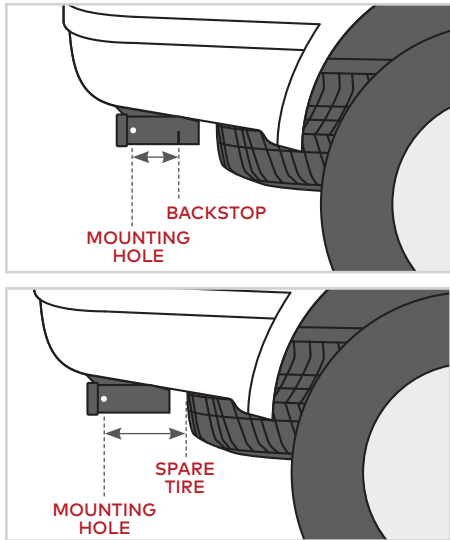
For more information regarding your hitch, please consult an automotive professional or contact the hitch manufacturer.

HITCH FIT MEASUREMENT

Using the table chart, compare your measurement to see which hitch racks will work with your vehicle. Your Measurement must be equal to or greater than the product measurement listed.

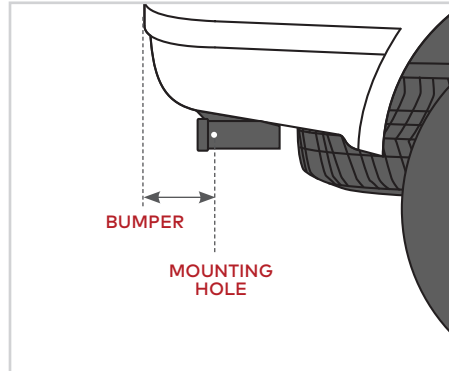
FIT MEASUREMENT A

With a ruler inserted in the receiver, measure from the center of the hitch mounting hole to the point where you make contact with an obstacle.



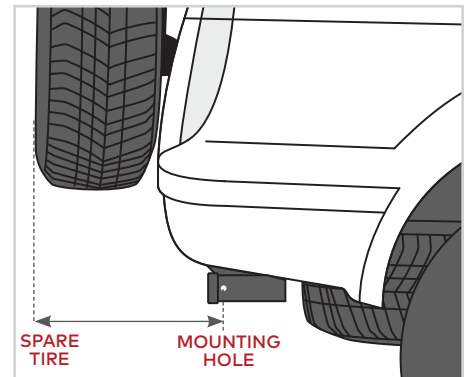
FIT MEASUREMENT B

Make sure your bumper will not interfere with the Yakima hitch rack. Measure the distance from the center of the mounting hole on your hitch to the end of your bumper.



FIT MEASUREMENT C

If you have a trunk mounted spare tire, it may interfere with the installation of your hitch rack. Measure the distance from the center of the mounting hole on your hitch receiver to the end of your spare tire.



HITCH RACK	FIT MEASUREMENT			CLASS		
	A	B	C	1.25" with backstop	1.25" without backstop	2"
BackSwing	2 7/8" Min.	8 1/4" Max.	6 1/2" Max.			✓
DoubleDown	2" Min.	9 1/8" Max.	9" Max.	x	✓	✓
Dr.Tray 1.25"	3 3/4" Min.	6 1/4" Max.	9" Max.		✓	
Dr.Tray 2"	2 7/8" Min.	6 1/2" Max.	9" Max.			✓
FourTimer	2 3/4" Min.	13 3/8" Max.	14 1/2" Max.			✓
FullSwing	3" Min.	8 3/4" Max.	6 3/4" Max.			✓
FullTilt 4/5	1 3/8" Min.	9 1/2" Max.	9 3/4" Max.	x	✓	✓
HoldUp 1.25"	2" Min.	9 1/2" Max.	10 1/2" Max.			
HoldUp 2"	2 7/8" Min.	9" Max.	9 3/4" Max.			✓
HoldUp EVO 1.25"	3" Min.	5" Max.	8 1/2" Max.		✓	
HoldUp EVO 2"	3" Min.	5" Max.	8 1/2" Max.			✓
LiteRider 2/3	2 3/4" Min.	9" Max.	9" Max.	x	✓	✓
LongHaul	3 1/8" Min.	4 3/8" Max.	4 1/2" Max.			✓
RidgeBack 2/4/5	1 3/8" / 2 3/4" Min.	9.25 / 8" Max.	10" Max.	x	✓	✓
RoadTrip	2 7/8" Min.	4 3/8" Max.	10 1/4" Max.			✓
SingleSpeed	1 5/8" Min.	7 3/4" Max.	12" Max.	x	✓	✓
SwingDaddy	3" Min.	6 1/2" Max.	6 3/4" Max.			✓
TwoTimer	1 7/8" Min.	12 1/2" Max.	12 1/2" Max.	x	✓	✓
LongArm	2 3/4" Min.	8 1/2" Max.	10" Max.			✓

x Due to variations in Class I hitch receivers, some Class I receivers may not be able to accept this product.



TRAY HITCH RACK COMPARISON

Hitch Rack	Price	Number of Bikes	Locks to Vehicle	Accepts Add On	Bottle Opener	Tilts w/ Bikes On	Tool-Free Install	Locks Bikes to Rack	Zero Frame Contact	Accepts Fat Bikes
Dr.Tray 2"	\$649	2								
Dr.Tray 1.25"	\$649	2								
HoldUp EVO 2"	\$549	2								
HoldUp EVO 1.25"	\$549	2								
HoldUp 2"	\$449	2								
HoldUp 1.25"	\$449	2								
SingleSpeed	\$279	1								
TwoTimer	\$349	2								
FourTimer	\$579	4								

◆ Add EZ+1 to carry one more bike on the Dr.Tray & HoldUP EVO +2 to carry 2 additional bikes (2" ONLY).
 **Requires additional Fat Straps. Check wheel and tire dimensions.



Dr.Tray



HoldUp EVO



HoldUp



SingleSpeed



TwoTimer



FourTimer

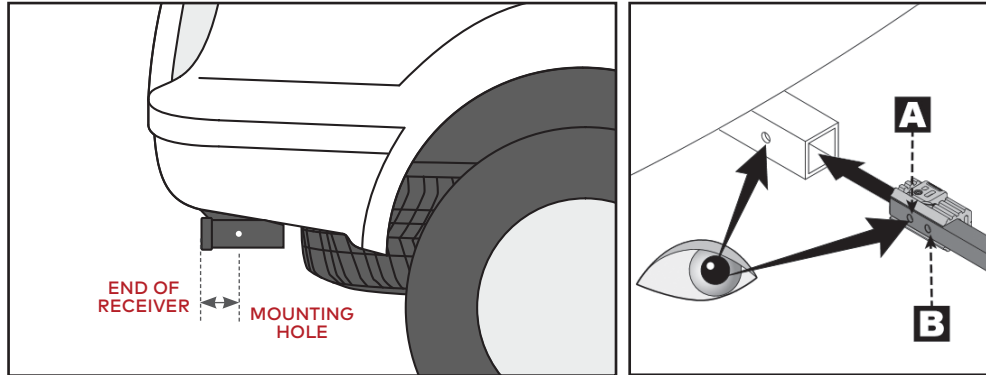
HITCH FIT TIPS

CHECK RECEIVER PIN HOLE DEPTH

If you have selected a RidgeBack hitch rack, you will need to measure the depth of your receiver's mounting hole to determine which of the pin mounting holes on your RidgeBack's tongue to use.

- If Measurement X is between 1.5" and 2.375" wide, use pin hole B
- If Measurement X is greater than 2.375", use pin hole A
- If Measurement X is less than 1.5", it is considered not to be a fit

FIT MEASUREMENT X



WARNING

RidgeBack is not approved for RV use. Only use Yakima RV-Approved products, p. 37, on the back of RVs and travel trailers. Never use a hitch extender with Yakima products.

PRICES ARE SUBJECT TO CHANGE